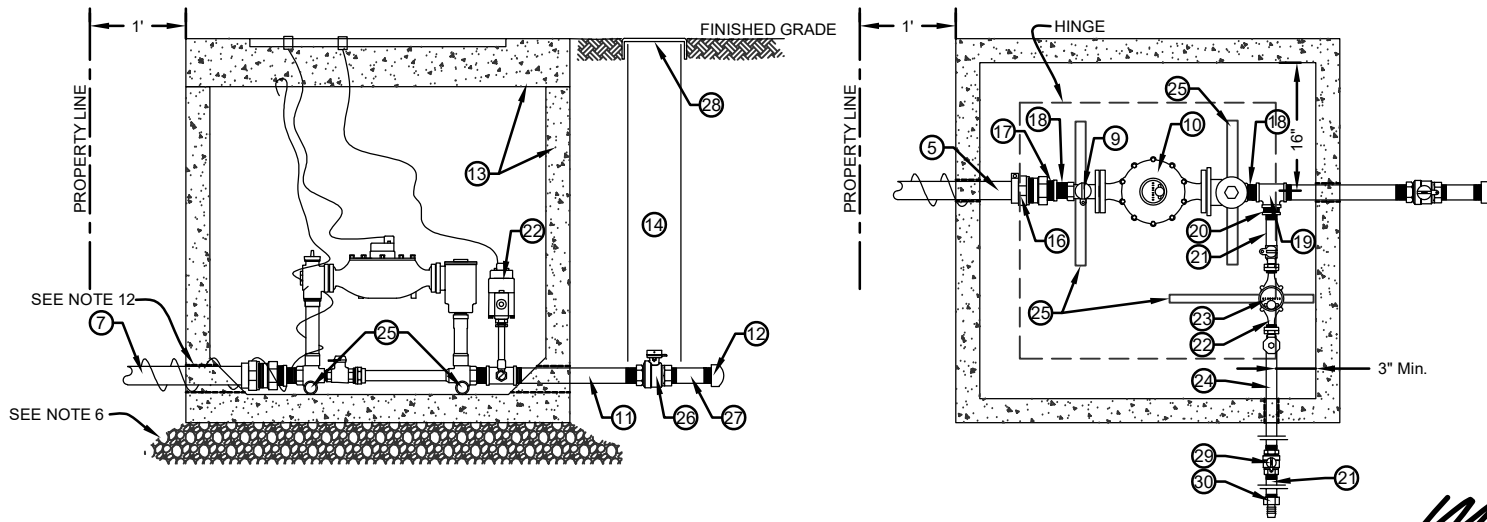
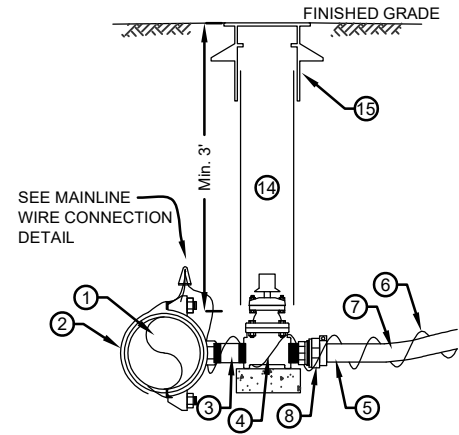


BILL OF MATERIALS					
NO.	NOMENCLATURE	REQ'D	NO.	NOMENCLATURE	REQ'D
1.	WATER MAIN		16.	ADAPTER, BRASS PAK, 2" F.I.P.T. x 2" COP (FORD #C14-77-NL) ^{a b}	1
2.	CLAMP, SERVICE, DOUBLE STRAP x 2" I.P.T., ALL BRASS (FORD #202B)	1	17.	BUSHING, BRASS 2" M.I.P.T. x 1-1/2" F.I.P.T.	1
3.	NIPPLE, BRASS 2"x4"	1	18.	NIPPLE, BRASS 1-1/2"xCLOSE	2
4.	VALVE, 2" DUCTILE IRON, RESILIENT WEDGE I.P.T. x I.P.T.	1	19.	TEE, 1-1/2" BRASS	1
5.	INSERT, STIFFENER, 1-1/2" (FORD #75) ^a	2	20.	BUSHING, BRASS 1-1/2"x1" M.I.P.T.x F.I.P.T.	1
6.	WIRE, #10 SOLID COPPER, BLUE COATED, EXTEND MIN.18" INTO BOX, NEAR LID		21.	NIPPLE, BRASS 1"x6"	1
7.	PIPE, 2" REHAU MUNICIPEX TYPE A 200 P.S.I.		22.	COPPERSETTER, 3/4"(FORD #VBHC72-9W-11-44-NL FP) ^a OR 1"(FORD #VBHC74-12W-11-44-NL FP) ^a	1
8.	BRASS PAC JOINT, 2" M.I.P.T. x 2" COP (FORD #C84-77-NL) ^a	2	23.	METER, BADGER, MODEL M25 (5/8") OR M35 (3/4") OR M70 (1") (BY PUD)	1
9.	COPPERSETTER, 1-1/2", (FORD #VBHH76-12B-11-66-NL FP)	1	24.	NIPPLE, BRASS 1"x18"	1
10.	METER, BADGER, MODEL M120 1-1/2" BRONZE METER (BY PUD)	1	25.	STABILIZER, 1/6" TO 24" LENGTH, ROD OR PIPE	3
11.	NIPPLE, BRASS 1-1/2"x12"	1	26.	BALL VALVE, BRASS 1-1/2" (FORD B11-666R-NL) ^a	1
12.	CAP, 1-1/2" (GALVANIZED)	1	27.	NIPPLE, BRASS 1-1/2"x6"	1
13.	VAULT, OLDCASTLE 444-LA W/COVER 332-DP-SA (SPRING ASSISTED) ^a	1	28.	6" PVC CAP	1
14.	CASING, 6" PVC SEWER PIPE		29.	BALL VALVE, BRASS 1" (FORD B11-444R-NL) ^a	1
15.	VALVE BOX, CAST IRON OLYMPIC FOUNDRY VB-007-SKAGIT (SEE P.U.D. DETAIL)	1	30.	ADAPTER, BRASS, 1" F.I.P.T. x 1" INSERT	1

^a OR EQUIVALENT APPROVED BY THE DISTRICT
^b ELL, 90° STREET, 1" M X F.I.P.T. (IF NEEDED)

ALL BRASS FITTINGS TO BE LEAD FREE DOMESTIC BRASS

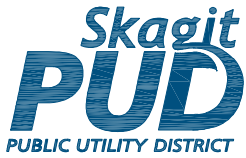


#10 WIRE

MAINLINE WIRE CONNECTION DETAIL
 NTS
 NOTE: ALL THREE WIRES ARE TO BE TIED TOGETHER IN AN OVERHAND KNOT APPROXIMATELY 6" FROM WIRE NUT. BARE 5/8" OF WIRES. CONNECT WITH #62325 KING WATERPROOF WIRE CONNECTOR. ^a

[Signature]
 PUD NO. 1 OF SKAGIT COUNTY ENGINEERING MANAGER

APPROVED ON: SEPTEMBER 9, 2022



**STANDARD INSTALLATION OF
 1-1/2" METERED SERVICE
 WITH 200 P.S.I. REHAU
 SERVICE LINE W/ DEDUCT METER**

SCALE: 1" = 2'
 DATE: 3/01/05
 REVISED: 12/8/22
 DRAWN BY: JLB
 APPROVED BY: MCH

STANDARD
WS1.5-2a