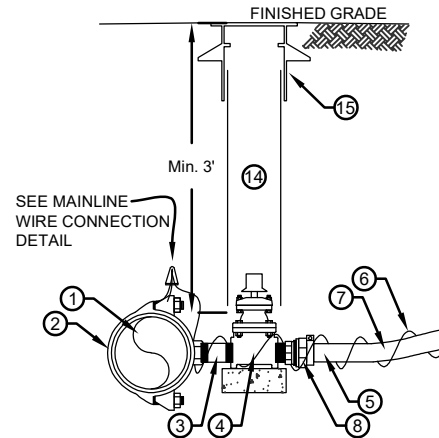


| BILL OF MATERIALS | | | | | |
|-------------------|---|-------|-----|--|-------|
| NO. | NOMENCLATURE | REQ'D | NO. | NOMENCLATURE | REQ'D |
| 1. | WATER MAIN | | 20. | NIPPLE, BRASS 2" CLOSE | 1 |
| 2. | CLAMP, SERVICE, DOUBLE STRAP x 2" I.P.T., ALL BRASS (FORD #202B) ^a | 1 | 21. | UNION, BRASS 2" | 1 |
| 3. | NIPPLE, BRASS 2"x4" | 1 | 22. | REDUCER, BRASS 2"x1-1/2" | 1 |
| 4. | VALVE, 2" DUCTILE IRON, RESILIENT WEDGE I.P.T. x I.P.T. | 1 | 23. | BALL VALVE, BRASS 1-1/2" (FORD B11-666R-NL) ^a | 1 |
| 5. | INSERT, STIFFENER, 1-1/2" (FORD #75) ^a | 3 | 24. | NIPPLE, BRASS 1-1/2"x6" | 1 |
| 6. | WIRE, #10 SOLID COPPER, BLUE COATED, EXTEND MIN. 18" INTO BOX, NEAR LID | | 25. | 6" PVC CAP | 1 |
| 7. | PIPE, 2" REHAU MUNICIPEX TYPE A, 200 P.S.I. | | | | |
| 8. | BRASS PAC JOINT, 2" M.I.P.T. x 2" COP (FORD #C84-77-NL) ^a | 4 | | | |
| 9. | COPPERSETTER, 1-1/2" (FORD #VBHH76-12B-11-66-NL FP) ^a | 1 | | | |
| 10. | METER, BADGER MODEL M120 1-1/2" BRONZE METER(BY PUD) | 1 | | | |
| 11. | NIPPLE, BRASS 1-1/2"x12" | 1 | | | |
| 12. | CAP, 1-1/2" GALVANIZED | 1 | | | |
| 13. | VAULT, OLDCASTLE 3642-LA W/COVER 3642-2436F ^a | 1 | | | |
| 14. | CASING, 6" PVC SEWER PIPE | 1 | | | |
| 15. | VALVE BOX, CAST IRON OLYMPIC FOUNDRY VB-007-SKAGIT (SEE P.U.D. DETAIL) | 1 | | | |
| 16. | BUSHING, BRASS 2" M.I.P.T. x 1-1/2" F.I.P.T. | 1 | | | |
| 17. | NIPPLE, BRASS 1-1/2"x4" | 1 | | | |
| 18. | CURBSTOP, BRASS 2" (FORD #B11-777-W-NL) ^a | 1 | | | |
| 19. | PRV WILKINS 2" 600 HLR SC (HIGH RANGE PRV) | 1 | | | |

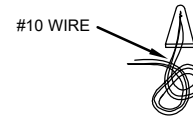
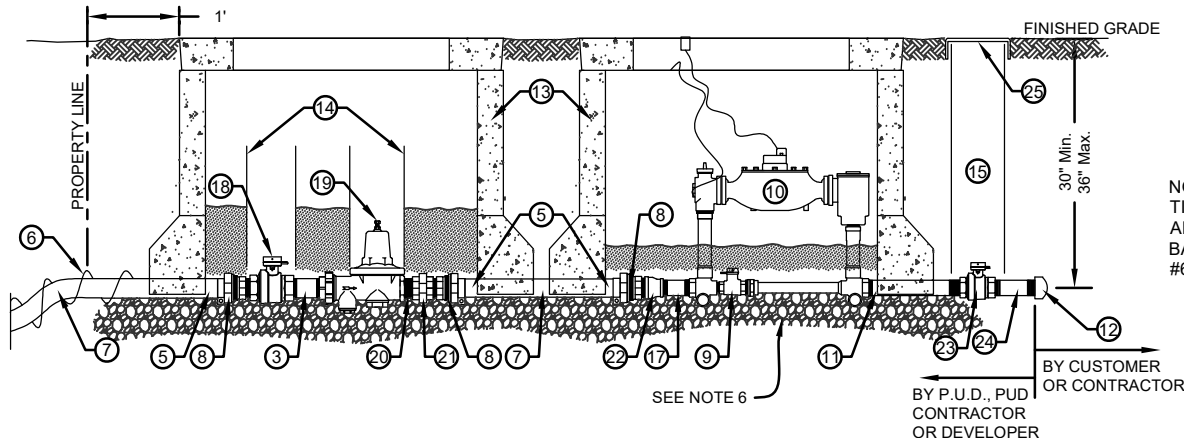
^a OR EQUIVALENT APPROVED BY THE DISTRICT
^b ELL, 90° STREET, 1" M X F.I.P.T. (IF NEEDED)

ALL BRASS FITTINGS TO BE LEAD FREE DOMESTIC BRASS



NOTES

1. INSTALL SERVICE LINE PERPENDICULAR TO MAIN UNLESS OTHERWISE SHOWN ON WATER CONSTRUCTION PLAN.
2. IF METER IS NOT INSTALLED IN COPPERSETTER, INSTALL A PVC NIPPLE BETWEEN METER CONNECTIONS. IF CONNECTION IS NOT MADE TO CUSTOMER'S PLUMBING, INSTALL CAP(#12).
3. SUPPORT COPPERSETTER WITH 1'6" TO 2' OF ROD OR PIPE THROUGH EACH EYELET. SET COPPERSETTER FLUSH, PLUMB AND CENTERED IN VAULT/BOX. LOCK BYPASS WITH P.U.D.-ISSUED PADLOCK.
4. PUD OWNERSHIP ENDS AT THE METER AND METER BOX. WATER SERVICES TO BE CONNECTED TO AN ACTIVE WATERLINE ARE REQUIRED TO BE INSTALLED BY PUD. WATER SERVICES INSTALLED WITH A NEW WATERLINE OR WATERLINE EXTENSION WILL BE PERFORMED BY THE CONTRACTOR/DEVELOPER PRIOR TO CONNECTION OF THE NEW WATERLINE TO THE PUD SYSTEM. THE PUD IS REQUIRED TO SET ALL METERS. IF A NEW WATER SERVICE IS INSTALLED BY THE PUD, PUD WILL INCLUDE THE PRIVATE SHUT-OFF VALVE AFTER THE METER. AFTER INSTALLATION THE OWNER IS RESPONSIBLE FOR ALL FUTURE MAINTENANCE, REPAIR AND REPLACEMENT OF THE PRIVATE SHUT-OFF VALVE.
5. FLUSH OUT SERVICE TUBING AND COPPERSETTER BEFORE INSTALLING METER. **DO NOT** ALLOW MUD OR FOREIGN MATERIAL TO ENTER ANY TUBING OR FITTINGS.
6. SET VALVE CASING AND VAULT/BOX TO FINISH GRADE. **DO NOT** REST CASING OR VAULT ON NIPPLES OR PIPE. PLACE 6 INCHES OF 3/4" MINUS CRUSHED GRAVEL, COMPACTED TO 95%, UNDER CONCRETE VAULTS. SUPPORT VALVE CASING WITH 0.2 SQ.FT. OF CONCRETE ON EACH SIDE OF VALVE. SUPPORT 2" VALVE WITH MIN. OF 1 SQ.FT. OF CONCRETE BLOCK ON UNDISTURBED GROUND OR COMPACTED 3/4" CRUSHED GRAVEL.
7. A CONCRETE UTILITY VAULT WILL BE REQUIRED.
8. IF THERE IS PETROLEUM-BASED CONTAMINATED SOIL PRESENT, SERVICE PIPELINE SHALL BE OF TYPE K COPPER WITH BRASS AND COPPER FITTINGS.
9. METER SENSING PAD TO BE LOCATED IN STEEL LID OF UTILITY VAULT WITHIN SIX INCHES OF HINGE NEAR STREET END.
10. SEAL VAULT LIDS AND SEGMENTS WITH 1-1/2"x1" JOINT MASTIC.
11. DRAIN VAULT TO DAYLIGHT WHERE POSSIBLE WITH MINIMUM 3" DRAIN PIPE. (TO BE DETERMINED IN FIELD BY P.U.D. REPRESENTATIVE.)
12. NOTIFY CUSTOMER TO RECOMMEND THAT THEY INSTALL A LOW RANGE PRV BEYOND THE METER TO REDUCE THE PRESSURE FROM 120 PSI TO BELOW 80 PSI TO PROTECT THEIR INTERIOR PLUMBING.
13. BACKFLOW PROTECTION AT THE SERVICE CONNECTION IS REQUIRED FOR NON-RESIDENTIAL, AGRICULTURAL, AND IRRIGATION USES, ON LARGE SIZED PROPERTIES, PROPERTIES WITH EXITING WELLS AND BOOSTER/SEWAGE PUMPS, AND IN OTHER SITUATIONS AS DESCRIBED IN THE DISTRICT'S CROSS CONNECTION CONTROL MANUAL.



MAINLINE WIRE CONNECTION DETAIL
 NTS
 NOTE: ALL THREE WIRES ARE TO BE TIED TOGETHER IN AN OVERHAND KNOT APPROXIMATELY 6" FROM WIRE NUT. BARE 5/8" OF WIRES. CONNECT WITH #62325 KING WATERPROOF WIRE CONNECTOR.^a

[Signature]
 PUD NO. 1 OF SKAGIT COUNTY ENGINEERING MANAGER

APPROVED ON: SEPTEMBER 9, 2022



**STANDARD INSTALLATION OF
 1-1/2" METERED SERVICE WITH REHAU
 SERVICE LINE OFF HIGH PRESSURE
 MAIN LINE GREATER THAN 150 P.S.I.**

SCALE: 1" = 2'
 DATE: 3/25/05
 REVISED: 12/8/22
 DRAWN BY: JLB
 APPROVED BY: MCH

STANDARD
WS1.5-3