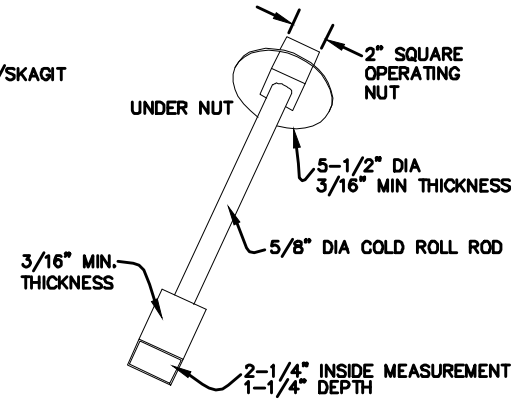
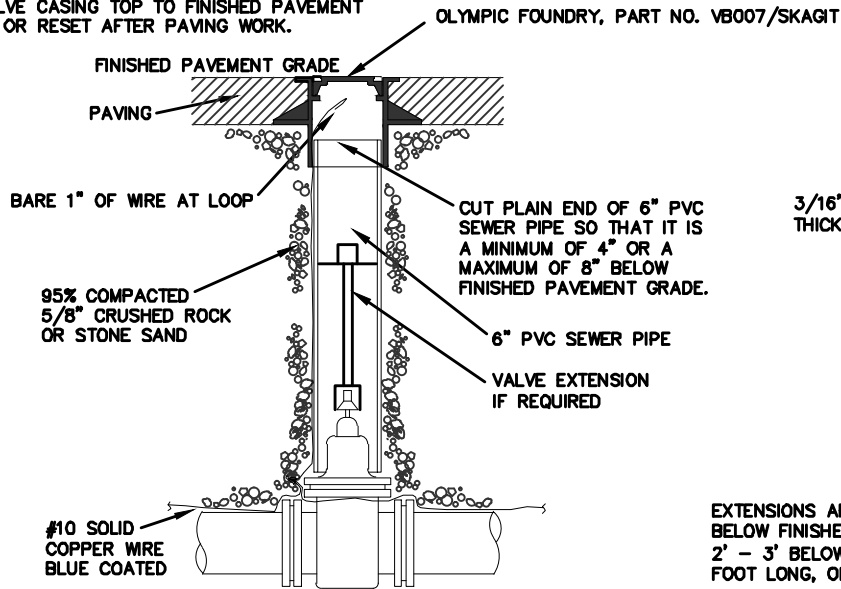


MAINLINE WIRE CONNECTION DETAIL
NTS

NOTE: BARE 5/8" OF WIRES. CONNECT WITH #62225 KING WATERPROOF WIRE CONNECTOR.^a

SET VALVE CASING TOP TO FINISHED PAVEMENT GRADE, OR RESET AFTER PAVING WORK.



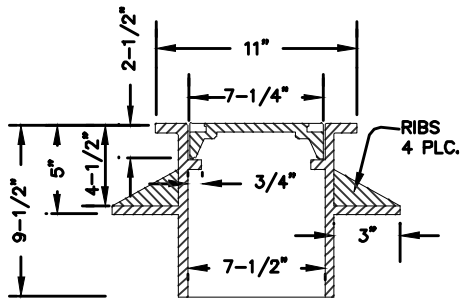
VALVE OPERATING NUT EXTENSION

EXTENSIONS ARE REQUIRED WHEN THE VALVE NUT IS MORE THAN THREE (3) FEET BELOW FINISHED GRADE. THE FINISH ELEVATION OF THE OPERATING NUT IS TO BE 2' - 3' BELOW FINISH GRADE. EXTENSIONS ARE TO BE A MINIMUM OF ONE (1) FOOT LONG, ONLY ONE EXTENSION TO BE USED PER VALVE.

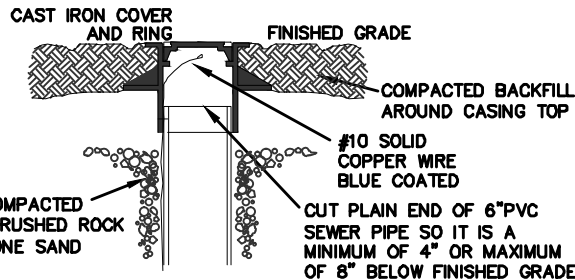
- NOTE:
- 1) ALL EXTENSIONS ARE TO BE MADE OF STEEL SIZED AS NOTED, AND PAINTED WITH TWO COATS OF METAL PAINT. WELD ALL PARTS.
 - 2) A CARSONITE CWV-116 BLUE MARKER POST WILL BE INSTALLED AT ALL VALVE(S) LOCATIONS UNLESS DIRECTED OTHERWISE BY DISTRICT REPRESENTATIVE.

**VALVE CASING IN PAVED AREAS,
STREETS AND SIDEWALKS**

REFER TO "RECOMMENDED PROCEDURE FOR SETTING VALVE BOXES IN ASPHALT PAVING" (SHEET 2)



SECTION A-A
OLYMPIC FOUNDRY, PART NO. VB007/SKAGIT
CAST IRON VALVE BOX



VALVE CASING IN UNPAVED AREAS

VALVE CASING EXTENSION

IF THE 6" PVC VALVE CASING PIPE DOES NOT EXTEND HIGH ENOUGH TO SUPPORT THE CAST IRON VALVE BOX, AN EXTENSION CAN BE ADDED FOLLOWING THE PROCEDURE BELOW:

1. CUT A 6" PVC SEWER PIPE 6" - 8" LONGER THAN THE RISE NECESSARY.
2. SPLIT THE 6" PVC SEWER PIPE THE FULL LENGTH.
3. CURL CASING EXTENSION INTO ITSELF AND PLACE INSIDE EXISTING PVC VALVE CASING THE 6"-8" ALLOWED FOR IN STEP 1. INSTALL VALVE BOX.

PUD NO. 1 OF SKAGIT COUNTY ENGINEERING MANAGER

APPROVED ON: _____ MAY 6 _____, 2014



**STANDARD INSTALLATION OF
CAST IRON VALVE BOX &
VALVE OPERATING NUT EXTENSION**

SHEET 1/2

SCALE: NTS
DATE: 3-25-05
REVISED: 5/6/14
DRAWN BY: CAS
APPROVED BY: GJS

STANDARD

WV-1a