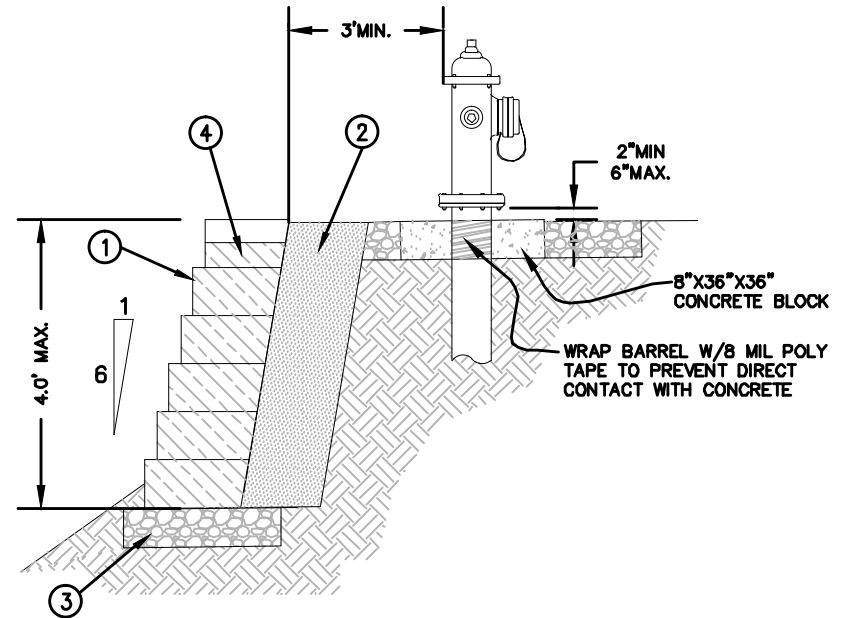
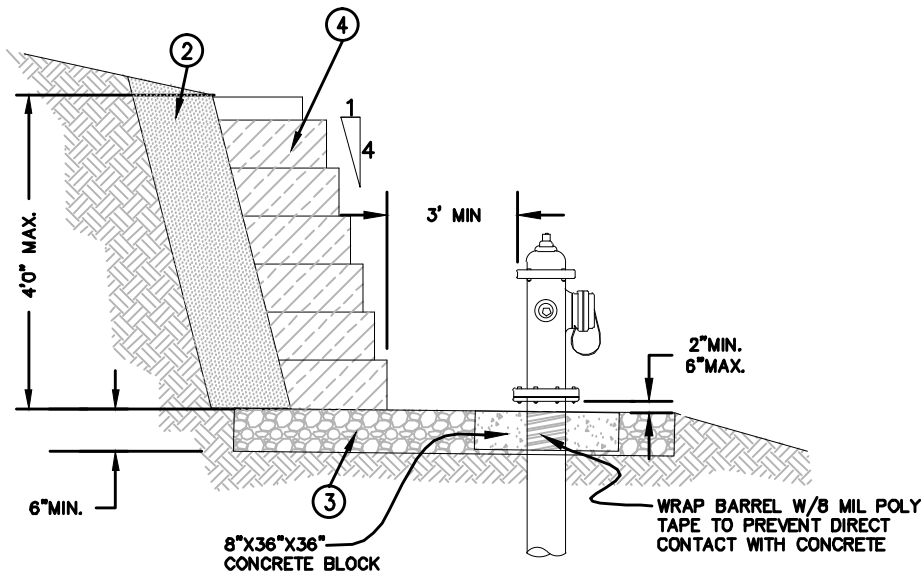


**LEGEND**

- ①. INSTALL CORNERSTONE F100 BLOCK UNITS WITH CAPS, STACK TO DESIRED HEIGHT (4' MAX.) ADHERE CAPS TO THE BLOCK UNITS WITH A CONCRETE ADHESIVE.
- ②. COMPACTED SELECT FILL MATERIAL AS REQUIRED BY THE DISTRICT'S INSPECTOR.
- ③. ESTABLISH A COMPACTED AGGREGATE LEVELING PAD USING 5/8" MINUS CRUSHED ROCK COMPACTED TO 95% BASE SHALL BE A MINIMUM 6" DEEP PLUS ONE INCH FOR EVERY ONE FOOT OF WALL HEIGHT. PLACE FIRST COURSE OF BLOCKS ON LEVELING SAND.
- ④. FILL ANY VOIDS IN BLOCKS WITH GRAVEL.



*[Handwritten Signature]*

PUD NO. 1 OF SKAGIT COUNTY ENGINEERING MANAGER

APPROVED ON: MAY 16, 2014



**STANDARD INSTALLATION OF  
FIRE HYDRANT  
"CENTER STEM TYPE"**

SCALE: NTS  
DATE: 3-25-05  
REVISED: 5/27/14  
DRAWN BY: KDM  
APPROVED BY: GJS

**STANDARD**

**WH-1b**