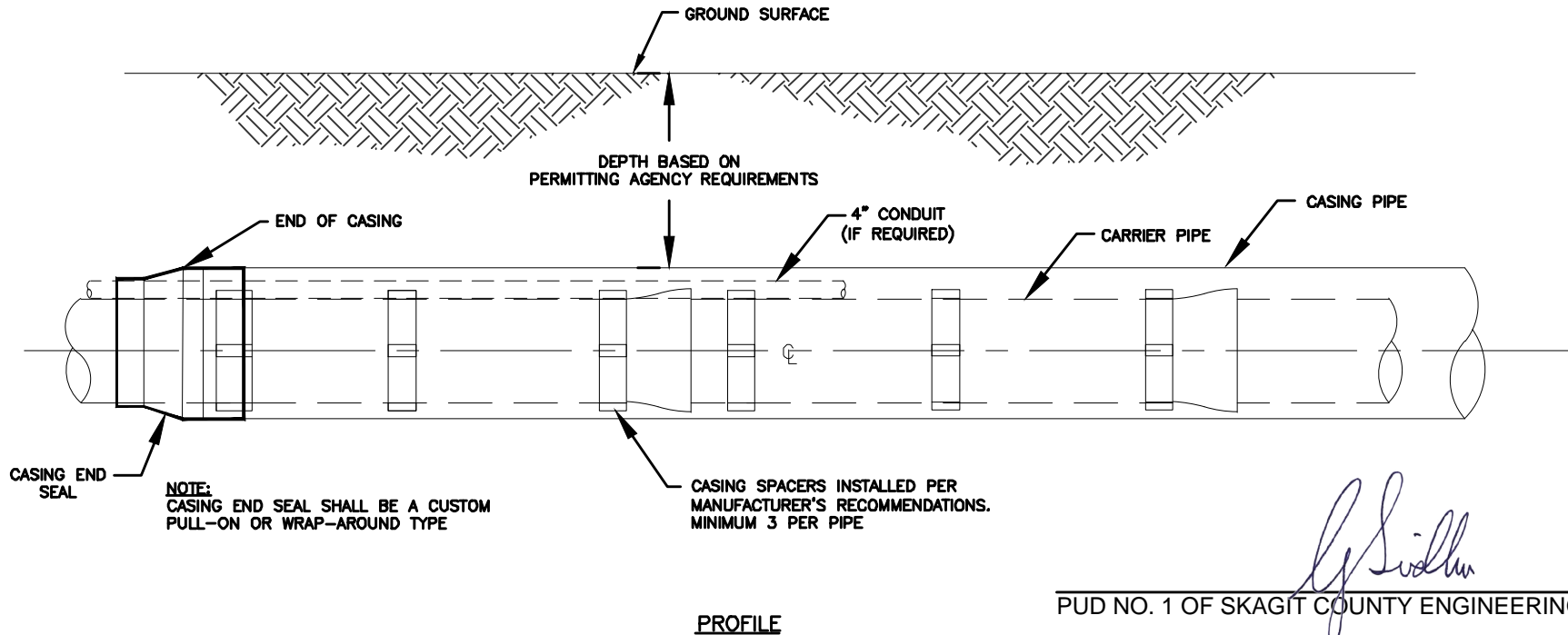


NOTES

1. CASING PIPE DIAMETER AND THICKNESS DEPENDS ON SPECIFIC APPLICATION AND DESIGN LOAD. SUBMIT CASING PIPE DIAMETER AND THICKNESS TO DISTRICT ENGINEERING DEPARTMENT FOR APPROVAL.
2. CASING PIPE SHALL MEET ASTM A36, WITH MINIMUM 35,000 PSI YIELD STRENGTH.
3. SOILS INVESTIGATION REPORT SHALL BE CONDUCTED PRIOR TO CONSTRUCTION AND REPORT SUBMITTED TO DISTRICT FOR REVIEW.
4. CONTRACTOR IS RESPONSIBLE FOR DESIGN JACKING/RECEIVING PITS, INCLUDING DEWATERING.
5. CASING INSTALLATION SHALL BE PERFORMED IN A MANNER THAT WILL NOT INTERFERE WITH, INTERRUPT OR ENDANGER GROUND SURFACE AND OTHER ADJACENT UTILITIES. CONTRACTOR IS RESPONSIBLE FOR ALL SETTLEMENT FROM CASING PIPE INSTALLATION AND SHALL MAKE RESTORATION TO ALL DAMAGED PROPERTY.
6. CASING SPACER SHALL BE CONSTRUCTED OF TYPE 304 STAINLESS STEEL WITH MINIMUM THICKNESS OF 12 GAUGE. RUNNERS SHALL BE MADE OF REINFORCED POLYMER.
7. CASING END SEAL SHALL BE A SYNTHETIC RUBBER SLEEVE ATTACHED WITH STAINLESS STEEL BAND CLAMPS. GROUT MAY BE USED IF APPROVED BY DISTRICT.
8. A CONDUIT FOR FIBER OPTIC CABLE MAY BE REQUIRED TO BE INSTALLED. IN THAT CASE, THE CASING PIPE WILL NEED TO BE LARGER AND THE CASING SPACERS AND END SEALS MAY NEED TO BE MODIFIED.
9. ALL PERMITTING FOR CASING PIPE INSTALLATION TO BE COMPLETED BY CONTRACTOR AND APPROVED PERMITS SHALL BE SUBMITTED TO DISTRICT.
10. ALL CARRIER PIPE WITHIN CASING TO BE POLY ENCASED PER DISTRICT STANDARDS, WITH TRACER WIRE ATTACHED.
11. CARRIER PIPE WITHIN CASING TO BE PRESSURE TESTED SEPARATELY AND PRIOR TO CONNECTING TO PIPE AT EITHER END.
12. ALL CARRIER PIPE WITHIN THE CASING, AND FOR THE APPROPRIATE DISTANCE ON EITHER SIDE, SHALL HAVE RESTRAINED JOINTS.



[Handwritten Signature]

PUD NO. 1 OF SKAGIT COUNTY ENGINEERING MANAGER

APPROVED ON: MAY 22, 2014



**STANDARD PIPE CASING
INSTALLATION**

SCALE: NO SCALE
DATE: 10/22/12
REVISED: 5/22/14
DRAWN BY: KDM
APPROVED BY: GJS

STANDARD

WC-1