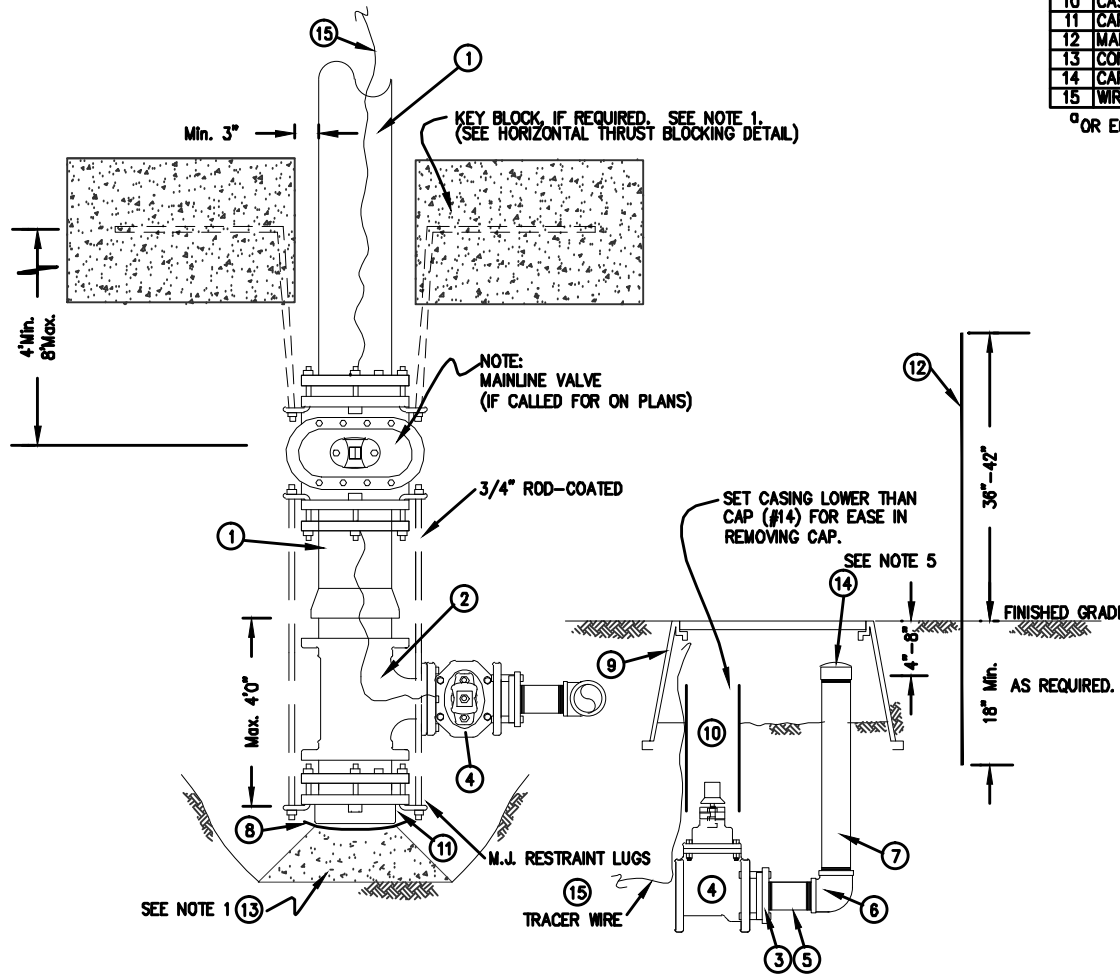


BILL OF MATERIALS

NO.	NOMENCLATURE	REQ'D.
1	WATER MAIN (12")	1
2	TEE, WATERMAIN SIZE x 4"FL	1
3	PLUG, 4", TAP 3"	1
4	VALVE, 4" DUCTILE IRON, RESILIENT WEDGE, FLxMJ	1
5	NIPPLE, 3"x4" GALVANIZED	1
6	ELL, 3" 90° GALVANIZED	1
7	PIPE, 3" GALVANIZED, THREAD BOTH ENDS	1
8	POLYETHYLENE SHEETING, 8 MIL THICKNESS	1
9	TRAFFIC RATED METER BOX AND LID (MID-STATES PLASTIC, INC. MSBCF 1324-18 NOT FOR THROUGH-WAY TRAFFIC APPLICATION) ⁰	1
10	CASING, 6" P.V.C. SEWER PIPE	1
11	CAP, PIPE SIZE, M.J. BLIND	1
12	MARKER, BLUE, CARSONITE #CWV-116	1
13	CONCRETE BLOCKING (OR KEY BLOCK IF REQUIRED)	1
14	CAP, 3" PLASTIC THREADED	1
15	WIRE, #10 SOLID COPPER, BLUE COATED, EXTEND MIN. 18" INTO BOX, NEAR LID	1

⁰OR EQUIVALENT APPROVED BY THE DISTRICT



NOTES:

1. BLOCK AS PER P.U.D. HORIZONTAL THRUST BLOCKING STANDARD DETAIL FOR 8" PIPE OR SMALLER. USE KEY BLOCK ARRANGEMENT FOR LARGER THAN 8" PIPE UNLESS PERMANENT DEAD END; THEN STANDARD BLOCKING REQUIRED. BEARING AREA TO BE AGAINST UNDISTURBED EARTH AND TO BE DETERMINED BY THE ENGINEER.
2. USE FORMING AS NECESSARY TO PREVENT CONCRETE FROM INTERFERING WITH CAP (#11), TEE (#2), OR VALVE (#4). IF A VALVE IS INSTALLED UPSTREAM OF BLOW, KEY BLOCK VALVE AND CAP. SEE HORIZONTAL THRUST BLOCKING DETAIL.
3. INSTALL VALVE AS DETERMINED BY DISTRICT ENGINEER.
4. PLASTIC THREAD CAP TO BE HAND TIGHT ONLY.
5. KEY BLOCK TO BE INSTALLED ONLY IF PIPE IS EXPECTED TO EXTEND⁰ WITHIN TEN (10) YEARS OF INSTALLATION. SEE HORIZONTAL THRUST BLOCKING DETAIL.

[Signature]

PUD NO. 1 OF SKAGIT COUNTY ENGINEERING MANAGER

APPROVED ON: _____ MAY 16 _____, 2014



**STANDARD INSTALLATION OF
3-INCH FLUSHING ASSEMBLY**

SCALE: 1" = 2'
DATE: 3-25-05
REVISED 5/16/14
DRAWN BY: KDM
APPROVED BY: GJS

STANDARD

WB3-1